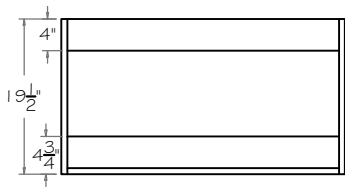
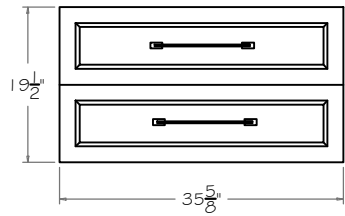


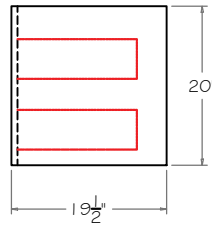
# NOVA 36"



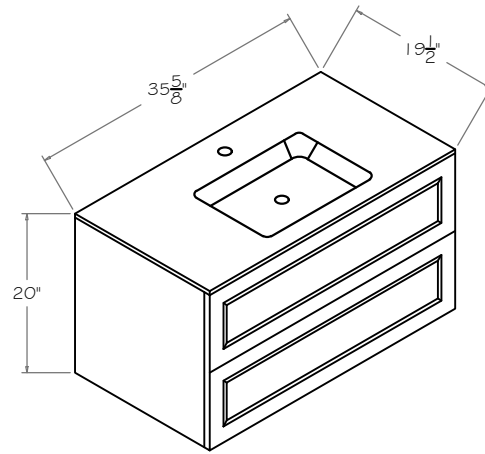
BACK VIEW



FRONT VIEW



SIDE SECTION



ISOMETRIC VIEW