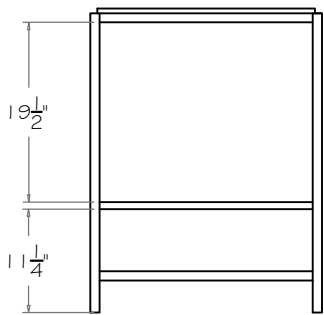
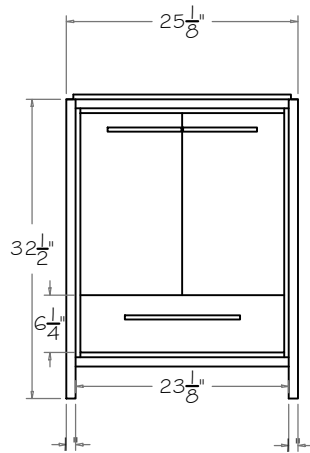


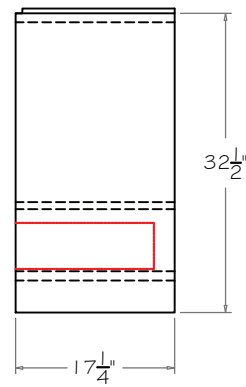
# ARTE 25 1/2"



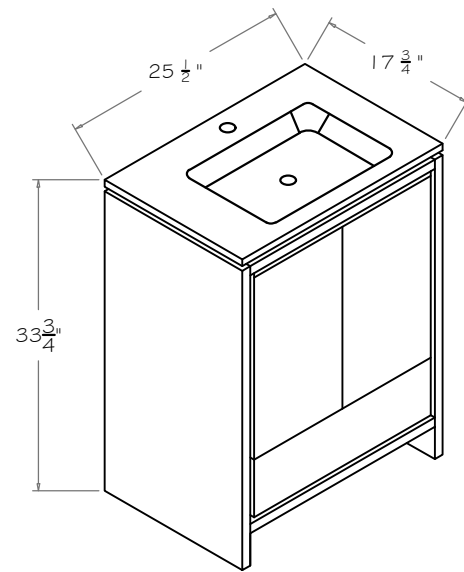
BACK VIEW



FRONT VIEW



SIDE SECTION



ISOMETRIC VIEW